

MATRIX® HEADREST SERIES



Introducing the **Matrix® Flipp headrest hardware**, a simple and intuitive solution designed to seamlessly integrate with **Loxx** and **Elan** headrest hardware systems. The push-release mechanism offers the ability to temporarily move the headrest out of the way without requiring complete detachment. Constructed to withstand regular use and maintain its stability over time, it offers a reliable solution that promotes ease of access for clients and caregivers during personal care and transfers.

Call to order

US: 1.888.433.6818 | CAN: 1.866.748.7943
motionconcepts.com



HARDWARE OPTIONS



LOXX™

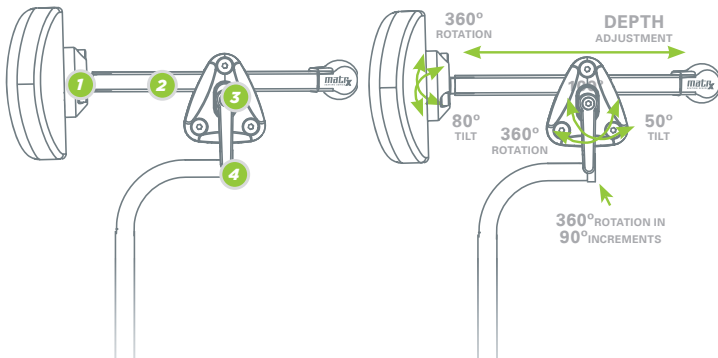
- Easy and intuitive – user friendly single-lever adjustment
- Patent-pending hardware ensures hold when the position is locked - crash tested
- Four points of adjustment, including 2 ball joints for optimal angle, rotation, and offset positions
- 8" and 12" horizontal slide bar options for optimal depth
- High visibility protective urethane safety tip



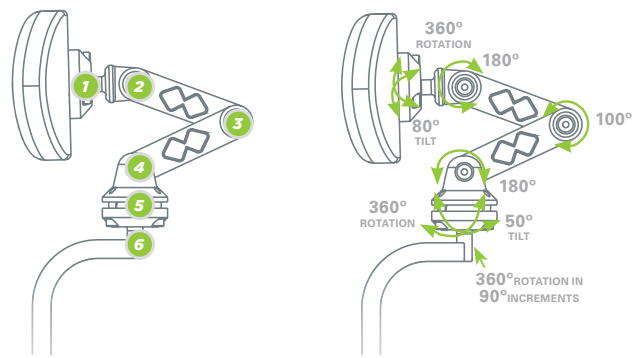
ELAN

- Compact and elegant – maximum adjustability
- Six points of adjustment – numerous positioning opportunities to meet complex user needs
- Multi-disk locking provides superior holding strength with no slide bar protrusion - crash tested*
- 3 link extended version available for extra depth orientation

HARDWARE ADJUSTMENTS



HARDWARE ADJUSTMENTS



LOXX Vertical Posts

- ▶ Standard (15") or Mini (11") vertical posts available
- ▶ May be used in standard, lateral offset or forward mounted positions



Mounting Plate Kit

- ▶ Low profile ergonomic knob



Tool-less Adjustment

- ▶ Adjustment levers included

FLIPP HARDWARE



FLIPP

- Safe and functional swing back interface
- Compatible with Matrx Loxx and Elan headrest hardware
- Easy one finger push-release button
- Push-release mechanism securely locked when pad is loaded
- 90° rotation reduces interference with other aspects of the chair

LOXX™ FLIPP



ELAN FLIPP



PAD OPTIONS



Headrest Backing Plate

The Elan series aluminum plate can be formed to the desired contour, ensuring a personalized fit and optimal support.



Co-molded Dual Density Foam

The green foam is made with Ultra-Fresh™ antimicrobial and anti-fungal additives.



StaminaFiber® Fill

Hyperallergenic, pillow-soft and fully machine washable design offers long-lasting durability and shape retention.



Hug Headrest Insert

Quilted to securely hold the StaminaFiber® filling in place, ensuring lasting support and stability. Optional for 6", 10", and 14" Elan Standard Headrest Pads.



Outer Cover Construction

Designed with your comfort in mind, these covers feature a zippered design, making them easily removable for effortless cleaning.



Outer Covers Options

Offering a choice of Startex™ or Infection Control Startex™ Covers to best suit your needs. Available on ALL Matrix Elan Headrest Pads.



Elan Headband

Comfortable neoprene forehead support. Keyhole-over-pin attachment for ease of application. Inside of band includes non skid surface.



Elan Hug Pads

6" Pad: 6" x 3.5"
10" Pad: 10" x 5"
14" Pad: 14" x 5"



Elan Standard Pads

6" Pad: 6" x 3.5"
10" Pad: 10" x 5"
14" Pad: 14" x 5"



Elan Occipital Pads

9" Pad: 9" x 7"
12" Pad: 12" x 8"



Elan 4-Point Pads

Small Pad: 9" x 7"
Large Pad: 11" x 10"



Motion Concepts
www.motionconcepts.com
info@motionconcepts.com

USA
700 Ensminger Rd., Suite 112
Tonawanda, NY 14150
(888) 433-6818
Fax: (888) 433-6834

Canada
84 Citation Dr., Unit 1-7
Concord, ON L4K 3C1
(866) 748-7943
(905)-695-0134
Fax: 905-695-0138

© 2023 Matrix is a registered trademark of Motion Concepts. Specifications are subject to change without notification.

TRD0721 Rev A