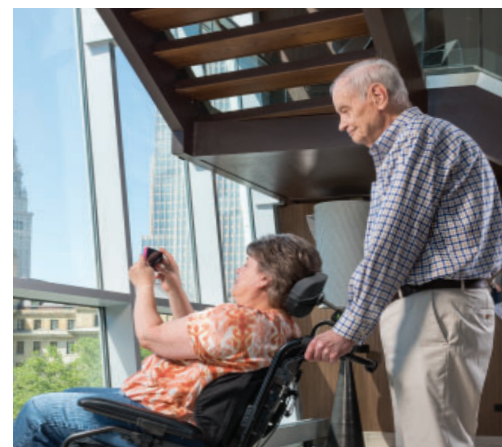


INVACARE® MATRX® HEADREST SERIES



Introducing the simple and intuitive new **Invacare® Matrx® Loxx™ headrest hardware**. Along with our popular Matrx Elan headrest hardware, and in combination with our award winning Elan headrest pads, Matrx offers elegant and effective head support solutions for a wide range of user needs.



Yes, you can.®



INVACARE® MATRX® LOXX™ HARDWARE



Safety Tip



Tool-less Adjustment lever



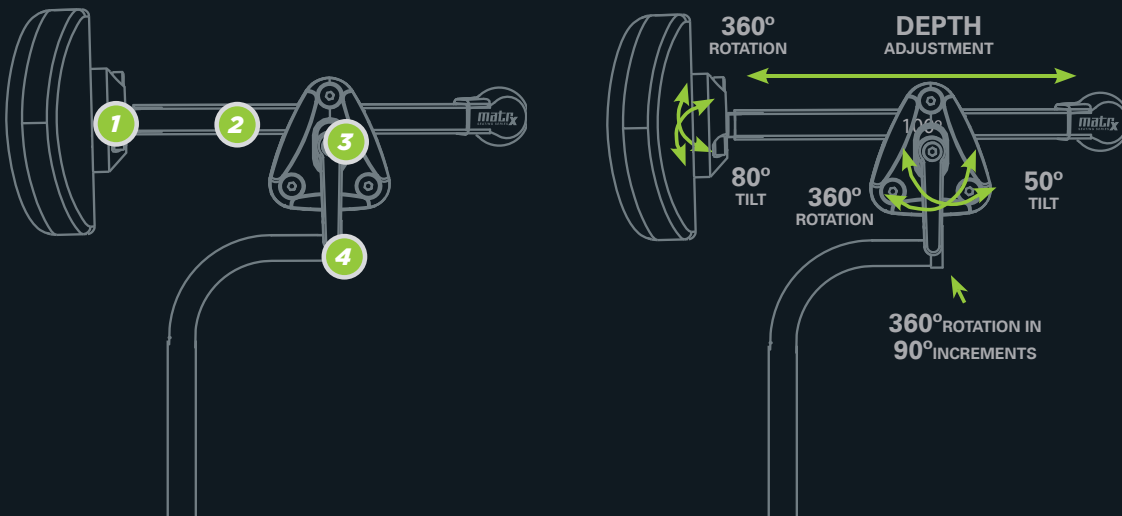
Ergonomic Knob



Features & Benefits

- ▶ Easy and intuitive tool-less lever adjustment of pad position in all directions
- ▶ Patent pending design helps ensure hold in locked position - crash tested*
- ▶ Dual pivot balls and slide bar for optimal pad orientation
- ▶ Curved vertical post for lateral or forward mounting positions
- ▶ Standard (15") or Mini (11") vertical posts available
- ▶ High visibility protective urethane safety tip

LOXX™ HARDWARE ADJUSTMENTS



INVACARE® MATRX® ELAN HARDWARE



Extended hardware



Tool-less Adjustment levers



Ergonomic Knob



Features & Benefits

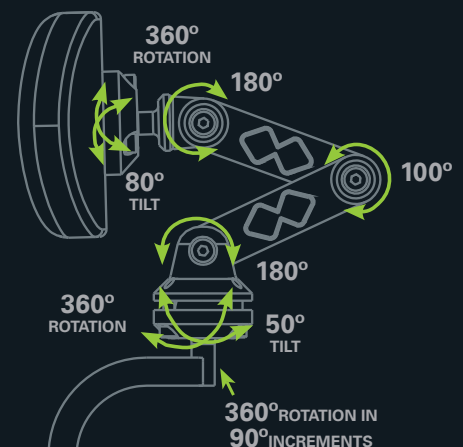
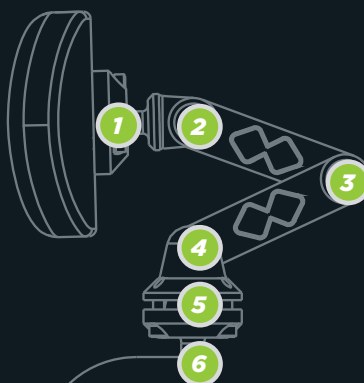
- ▶ Compact, lightweight and elegant.
- ▶ Six points of adjustment – numerous positioning opportunities to meet complex user needs
- ▶ 2 Adjustment levers included for tool-less fitting and adjustment
- ▶ Multi-disk locking provides superior holding strength with no slide bar protrusion - crash tested*
- ▶ Curved vertical post for lateral or forward mounting positions
- ▶ Standard (15") or Mini (11") vertical posts available
- ▶ Extended hardware with extra link for extended reach is also available

*The Invacare® Matrx® Elan® and The Invacare® Matrx® Loxx™ Headrest Hardware passed frontal impact Sled Impact Test. Testing in accordance with standards ANSI/RESNA WC-4:2017, Section 20, Wheelchair Seating Systems for use in Motor Vehicles and ISO 16840-4 (2009): Wheelchair Seating-Part 4: Seating Systems for Use in Motion Vehicles.

Mounting Plate Kit

- ▶ Used with both Elan and Loxx™ Hardware
- ▶ Ergonomic low profile adjustment knob
- ▶ Shim included for use when offset required for clearance of wraparound back upholstery

ELAN HARDWARE ADJUSTMENTS



INVACARE® MATRIX® HEADREST PADS

Features & Benefits

- Comfortable** ▶ Dual density foam provides immersion, prevents bottoming out
- Durable** ▶ Co-molded, dual firmness, HR foam surrounds backing plates, easily removed for modification, made with Ultra-fresh™ antimicrobial additive
- Lightweight** ▶ Lightweight - less than half of the weight of comparable steel plated pads
- Versatile** ▶ Aluminum plates can be formed to desired shape
- Covers** ▶ Zippered, moisture-resistant, breathable Startex fabric
 - ▶ Standard or Infection control cover (reverse Startex) available

Standard Pads



Pad Sizes:

6" Pad: 6" x 3.5"
10" Pad: 10" x 5"
14" Pad: 14" x 5"

Occipital Pads



Pad Sizes:

9" Pad: 9" x 7"
12" Pad: 12" x 8"

4-Point Pads



Pad Size:

Small Pad: 9" x 7"
Large Pad: 11" x 10"



Invacare Corporation www.invacare.com

USA
One Invacare Way
Elyria, Ohio
44035-4190
(800) 333-6900

Canada
570 Matheson Blvd. E. Unit 8
Mississauga, Ontario
L4Z 4G4 Canada
(800) 668-5324

Motion Concepts
www.motionconcepts.com
info@motionconcepts.com

USA
700 Ensminger Rd., Suite 112
Tonawanda, NY 14150
(888) 433-6818
Fax: (888) 433-6834

Canada
84 Citation Dr., Unit 1-12
Concord, ON L4K 3C1
(866) 748-7943
(905)-695-0134
Fax: 905-695-0138



Headband

Comfortable neoprene forehead support. Easy keyhole attachment for ease of application. Inside of band includes non skid surface.

All references to HCPCS codes: Providers are responsible for determining the appropriate billing codes when submitting claims to the Medicare program and should consult an attorney or other advisor to discuss specific situations in further detail.



© 2021 Invacare Corporation. All rights reserved. Trademarks are identified by the symbols ™ and ®. All trademarks are owned by or licensed to Invacare Corporation unless otherwise noted. Matrix is a registered trademark of Motion Concepts. Specifications are subject to change without notification. Form No. 21-151 Rev. 01/21 210701