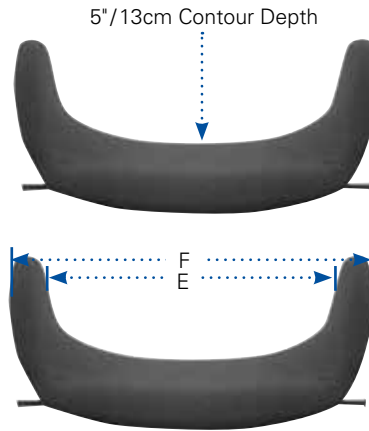
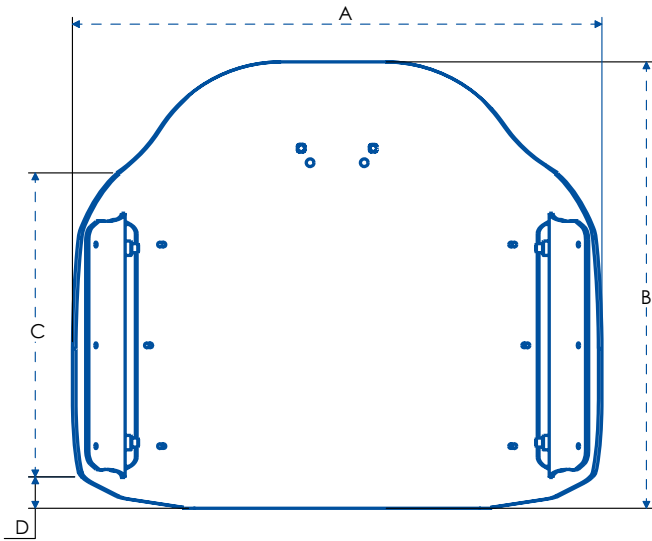




# INVACARE® MATRX® PB HEAVY-DUTY BACK SPECIFICATIONS



	BACK SHELL DIMENSIONS								OVERALL DIMENSIONS (CONTACT AREA)									
	A		B		C		D		E		F		G		WEIGHT WITHOUT HARDWARE		WEIGHT CAPACITY	
	WIDTH		HEIGHT			LATERAL CONTOUR HEIGHT		HEIGHT	INNER MAXIMUM WIDTH		OUTER MAXIMUM WIDTH		HEIGHT		lb	kg	lb	kg
MODEL	in	cm	in	cm	in	cm	in	cm	in	cm	in	cm	in	cm				
HDB2016	18½	47	15½	39.5	10	26	1	2.5	17½	44.5	20	51	16	41	5.6	2.5	500	226.8
HDB2020	18½	47	19½	48.5	11	28	1	2.5	17½	44.5	20	51	20	51	6.4	2.9	500	226.8
HDB2216	20½	52	15½	39.5	10	26	1	2.5	19½	49.5	22	56	16	41	6.0	2.7	500	226.8
HDB2220	20½	52	19½	48.5	12	31	1	2.5	19½	49.5	22	56	20	51	6.8	3.1	500	226.8
HDB2416	22½	57	15½	39.5	10	26	1	2.5	21½	55	24	61	16	41	6.4	2.9	500	226.8
HDB2420	22½	57	19½	48.5	13	33	1	2.5	21½	55	24	61	20	51	7.2	3.3	500	226.8
HDB2616	24½	62	15½	39.5	10	26	1	2.5	23½	59.5	26	66	16	41	6.8	3.1	500	226.8
HDB2620	24½	62	19½	48.5	13	33	1	2.5	23½	59.5	26	66	20	51	7.6	3.4	500	226.8
HDB2816	26½	67	15½	39.5	10	26	1	2.5	25½	65	28	71	16	41	7.2	3.3	500	226.8
HDB2820	26½	67	19½	48.5	13	33	1	2.5	25½	65	28	71	20	51	8.0	3.6	500	226.8
HDB3016	28½	72	15½	39.5	10	26	1	2.5	27½	70	30	76	16	41	7.6	3.4	500	226.8
HDB3020	28½	72	19½	48.5	13	33	1	2.5	27½	70	30	76	20	51	8.4	3.8	500	226.8

**Invacare Corporation**  
www.invacare.com

**USA**  
One Invacare Way  
Elyria, Ohio  
44035-4190  
(800) 333-6900

**Canada**  
570 Matheson Blvd.  
E. Unit 8  
Mississauga, Ontario  
L4Z 4G4 Canada  
(800) 668-5324

**Motion Concepts**  
www.motionconcepts.com

**USA**  
700 Ensminger Dr.,  
Suite 112  
Tonawanda, NY 14150  
(888) 433-6818  
Fax: (888) 433-6834

**Canada**  
84 Citation Dr., Unit 1-7  
Concord, ON L4K 3C1  
(866) 748-7943  
(905)-695-0134  
Fax: 905-695-0138

© 2014 Invacare Corporation. All rights reserved.  
Trademarks are identified by the symbols™ and ©.  
All trademarks are owned by or licensed to Invacare Corporation unless otherwise noted. Specifications are subject to change without notification.  
Form 12-569 REV. 06/14 140439